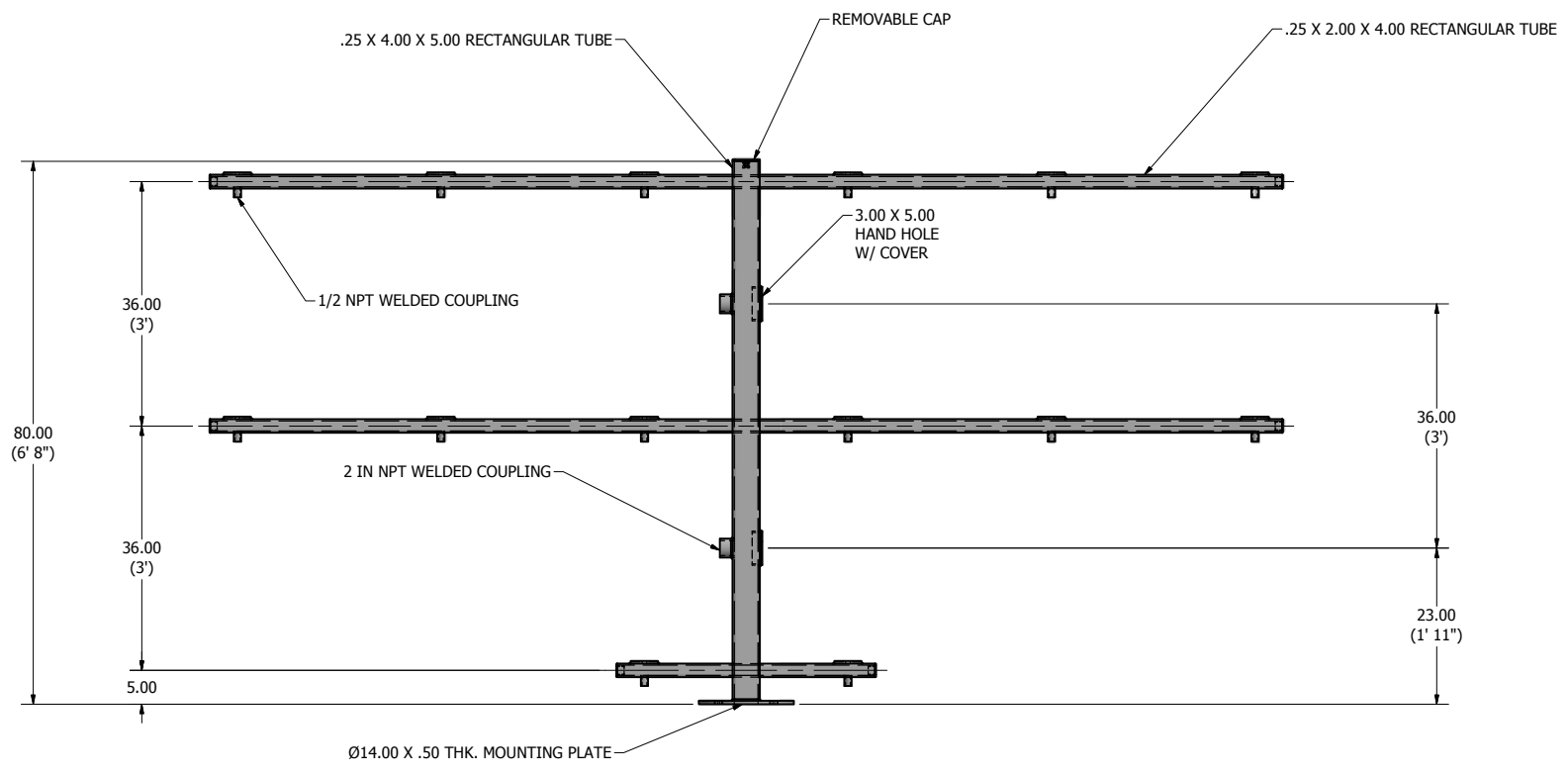
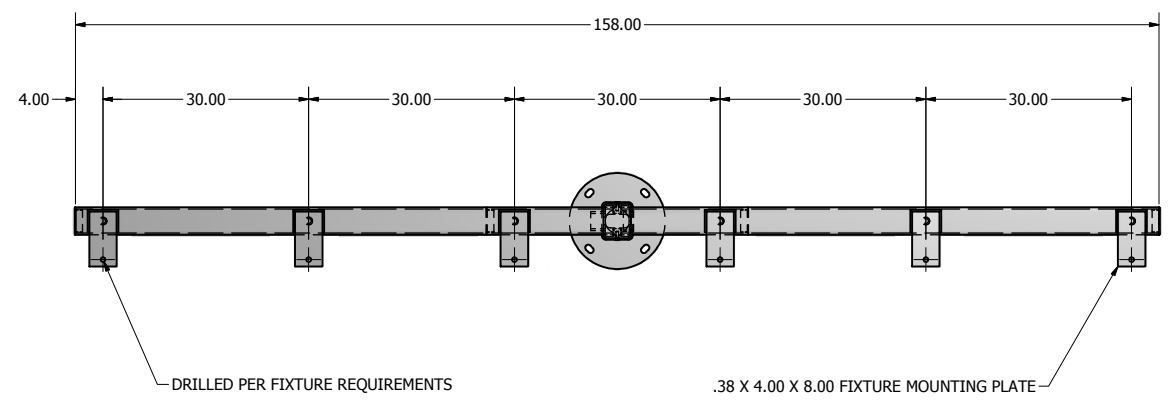


TOP MOUNTED CROSS ARM			
CATALOG #	FIXTURE QTY.	EPA (SQ. FT.)	WEIGHT (LBS.)
CRT-14	14	12.2	494



FINISH: TOP MOUNTED CROSS ARM BRACKET TO BE FINISHED TO MATCH POLE.

SOME GEOGRAPHICAL AREAS HAVE SPECIAL WIND CONDITIONS THAT CAN CREATE WIND INDUCED VIBRATIONS CAUSING A FATIGUE PROBLEM. NO METHOD HAS YET BEEN FOUND FOR PREVENTING OR DESTROYING LIGHTNING RODS. THE FOLLOWING CONDITIONS ARE REQUIRED. WE CANNOT BE GUARANTEED AGAINST, AND ARE THE RESPONSIBILITY OF A LOCAL SITE ENGINEER.	TITLE:	SHEET 1 OF 1
	CATALOG:	
	DWG NO: CRT-14	
	SIZE: C	

23171 Groesbeck Hwy.  
Warren, MI 48089  
P: (586) 774-6105 | F: (586) 774-5706  
www.generalstructuresinc.com

**GENERAL STRUCTURES INC.**  
A DDM COMPANY

DRAWN: M. HARVALA	2/19/2015
CHECKED:	DATE:
REVISION:	APPROVED:
APPROVED:	QUOTE:
S.O.#	SCALE: NONE
REF:	

